

20' ISO GAS-TANKCONTAINER | 20' ISO GAS TANK CONTAINER



25.100 Liter ortsbeweglicher Gas-Tankcontainer, Typ T50, ADR/RID
25,100 liter portable gas tank container, type T50, ADR/RID

Technische Daten | technical details

■ Typ Type	20' ISO Gas-Tankcontainer 20' ISO gas tank container	■ Metallurgische Auslegungstemperatur Metallurgic Design Temperatur for Tank	-40 bis +55°C -40 to +55°C
■ Nominale Kapazität Nominal Capacity	25.100 l 25,100 l	■ Max. zulässiger Betriebsdruck Maximum allowable working pressure	15,1 bar 15.1 bar
■ Gesamtgewicht Max. gross weight	36.000 kg 36,000 kg	■ Prüfdruck Test pressure	20,6 bar 20.6 bar
■ Eigengewicht Tare Weight	6.150 kg 6,150 kg	■ Werkstoff Shell material	Kohlenstoffstahl EN 10028-3 MOD P460 Carbon steel EN10028-3 – MOD P460
■ Länge Lenght	6.058 mm 6,058 mm		
■ Breite Width	2.438 mm 2,438 mm		
■ Höhe Height	2.591 mm 2,591 mm		
■ Stärke der Tankwand Shell manufacturing thickness	10,9 mm 10.9 mm		



Tankcontainer für unter Druck verflüssigte Gase mit Sonnendach
und Ventilkabinett an der rechten Seite

Tank container for under pressure liquefied gases with sun roof
and valve cabinet on right hand side

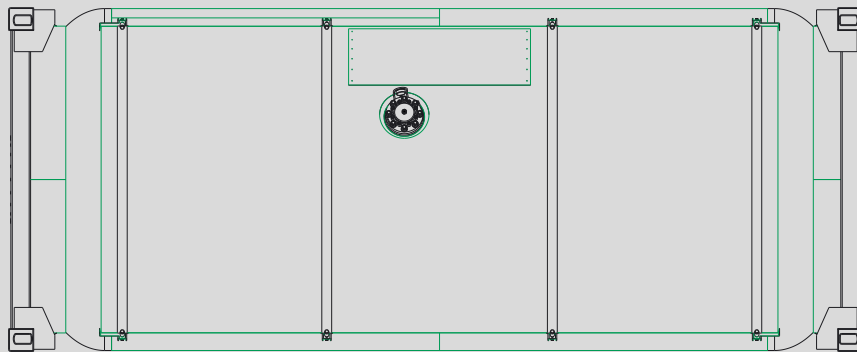
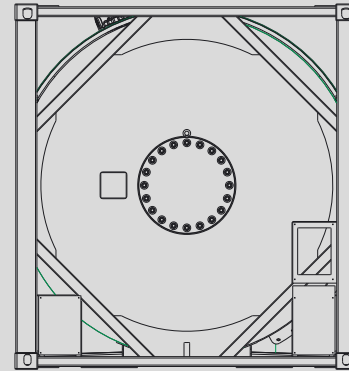
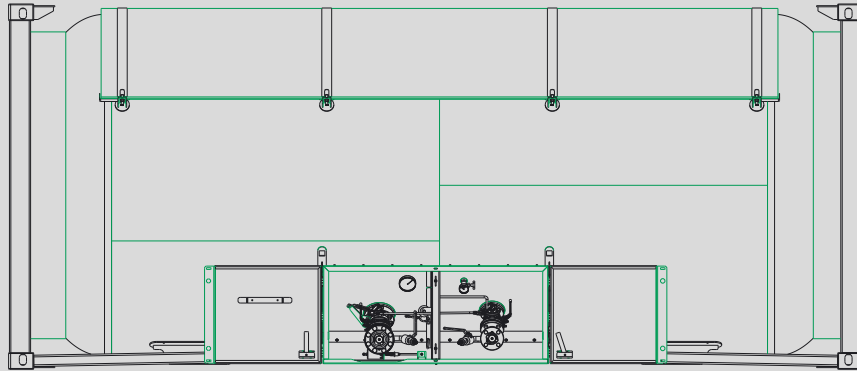
VTG Rail Europe GmbH
Nagelsweg 34
20097 Hamburg
Germany

Telefon +49 40 2354-0
info@vtg.com
www.vtg.com

20' ISO GAS-TANKCONTAINER | 20' ISO GAS TANK CONTAINER



25.100 Liter ortsbeweglicher Gas-Tankcontainer, Typ T50, ADR/RID
25,100 liter portable gas tank container, type T50, ADR/RID





PRODUCT DATA PLATE



UN-NO.	PRODUCTNAME	MAX. PAYLOAD (KG)	R-NUMBER
1010	BUTADIENES, STABILIZED	13805	
1011	BUTANE	12801	
1012	BUTYLENE	13303	
1021	1-CHLORO-1,2,2,2-TETRAFLUOROETHANE (R124)	30120	R124
1027	CYCLOPROPANE	13303	
1028	DICHLORODIFLUOROMETHANE (R12)	28865	R12
1029	DICHLOROFUOROMETHANE (R21)	30140	R21
1030	1,1-DIFLUOROETHANE (R152A)	19829	R152A
1032	DIMETHYLAMINE, ANHYDROUS	14809	
1033	DIMETHYLETHER (DME - RE170)	14558	RE170
1036	ETHYLAMINE	15311	
1037	ETHYL CHLORIDE	20080	
1055	ISOBUTYLENE	13052	
1061	METHYLAMINE, ANHYDROUS	14558	
1063	METHYL CHLORIDE (R40)	20331	R40
1083	TRIMETHYLAMINE, ANHYDROUS	14056	
1085	VINYL BROMIDE, STABILIZED	30140	
1086	VINYL CHLORIDE, STABILIZED	20331	
1087	VINYL METHYL ETHER, STABILIZED	16817	
1858	HEXAFLUOROPROPYLENE (R1216)	27861	R1216
1912	METHYLENE CHLORIDE AND METHYL CHLORIDE MIXTURE	20331	
1958	1,2-DICHLORO-1,1,2,2-TETRAFLUOROETHANE (R114)	30140	R114
1965	HYDROCARBON GAS MIXTURE (10%PROPANE, 90%BUTANE)	12550	
1965	HYDROCARBON GAS MIXTURE (20%PROPANE, 80%BUTANE)	12299	
1965	HYDROCARBON GAS MIXTURE (30%PROPANE, 70%BUTANE)	12048	
1965	HYDROCARBON GAS MIXTURE (40%PROPANE, 60%BUTANE)	12048	
1965	HYDROCARBON GAS MIXTURE (50%PROPANE, 50%BUTANE)	12048	
1965	HYDROCARBON GAS MIXTURE (60%PROPANE, 40%BUTANE)	11797	
1965	HYDROCARBON GAS MIXTURE (70%PROPANE, 30%BUTANE)	11546	
1969	ISOBUTANE	12299	
1983	1-CHLORO-2,2,2-TRIFLUOROETHANE (R133A)	29618	R133A
2517	1-CHLORO-1,1-DIFLUOROETHANE (R142B)	24849	R142B
3159	1,1,1,2-TETRAFLUROETHANE (R134A)	26104	R134A
3161	REFRIGERANT GAS R134A/DME (65/35)	19829	
3161	REFRIGERANT GAS R134A/DME (75/25)	21335	
3161	REFRIGERANT GAS R134A/DME (DME<=7%)	24849	
3161	REFRIGERANT GAS R134A/R152A (25/75)	21084	
3161	REFRIGERANT GAS R134A/R152A (50/50)	22590	
3161	REFRIGERANT GAS R134A/R152A (75/25)	24347	
3161	REFRIGERANT GAS R152A/DME (30/70)	15813	
3161	REFRIGERANT GAS R152A/DME (80/20)	18323	
3161	MIXTURE DME/ISOBUTANE (10/90)	12550	
3161	MIXTURE DME/ISOBUTANE (30/70)	13052	
3161	MIXTURE DME/ISOBUTANE (50/50)	13554	
3161	MIXTURE DME/ISOBUTANE (70/30)	14056	
3161	MIXTURE DME/ISOBUTANE (90/10)	14558	
3161	MIXTURE DME/ISOBUTANE ALL PERCENTAGES	12299	
3161	2,3,3,3-TETRAFLURO-1-PROPENE	23594	
3163	TRANS-1,3,3,3-TETRAFLUROPROP-1-ENE	25602	R1234yf R1234ze(E)
3163	TRANS-1-CHLORO-3,3,3-TRIFLUOROPROPENE	28614	R1233ZD(E)
3296	HEPTAFLUROPROPANE (R227)	30120	R227
1078 / 3163	1,1,1,3,3,3-HEXAFLUROPROPANE (R236fa)	30140	R236fa
1078 / 3163	1,1,1,3,3-PENTAFLUROPROPANE (R245fa)	30120	R245fa
1078 / 3163	2,2-DICHLORO-1,1,1-TRIFLUOROETHANE (R123)	30140	R123
1078 / 3163	HEXAFLUROPROPYLENE OXIDE (HFPO)	26355	HFPO
1078 / 3163	REFRIGERANT GAS R134A/DME (DME<=7%)	24849	
1078 / 3163	REFRIGERANT GAS R134A/R152A (87/13)	25100	
1078 / 3163	REFRIGERANT GAS R401C	26104	R401C
1078 / 3163	REFRIGERANT GAS R406A	24347	R406A
1078 / 3163	REFRIGERANT GAS R413A	25100	R413A
1078 / 3163	REFRIGERANT GAS R423A	27861	R423A

CONSTRUCTIONNOS. 119325-119374

DATA OF CONTAINER

Sunshield	yes
Bursting disc	yes
Topdischarge	no
Tarre / Max.gross	5860 kg / 36000 kg
Capacity	25100 l
MAWP	15.1 bar

9/11/2016

119325-PDP