

20' ISO GAS-TANKCONTAINER | 20' ISO GAS TANK CONTAINER



24.800 Liter ortsbeweglicher Gas-Tankcontainer, Typ T50, ADR/RID

24,800 liter portable gas tank container, type T50, ADR/RID

Technische Daten | technical details

■ Typ Type	20' ISO Gas-Tankcontainer 20' ISO gas tank container	■ Metallurgische Auslegungstemperatur Metallurgic Design Temperatur for Tank	-40 bis +50°C -40 to +50°C
■ Nominale Kapazität Nominal Capacity	24.800 l 24,800 l	■ Max. zulässiger Betriebsdruck Maximum allowable working pressure	22,0 bar 22.0 bar
■ Gesamtgewicht Max. gross weight	36.000 kg 36,000 kg	■ Prüfdruck Test pressure	28,6 bar 28.6 bar
■ Eigengewicht Tare Weight	6.480 kg 6,480 kg	■ Werkstoff Shell material	Kohlenstoffstahl EN 10028-3 MOD P460 Carbon steel EN10028-3 – MOD P460
■ Länge Lenght	6.058 mm 6,058 mm		
■ Breite Width	2.438 mm 2,438 mm		
■ Höhe Height	2.591 mm 2,591 mm		
■ Stärke der Tankwand Shell manufacturing thickness	12,1 mm 12.1 mm		

TC für unter Druck verflüssigte Gase mit Sonnendach und Ventilkabinett an der rechten Seite

TC for under pressure liquefied gases with sun roof and valve cabinet on right hand side

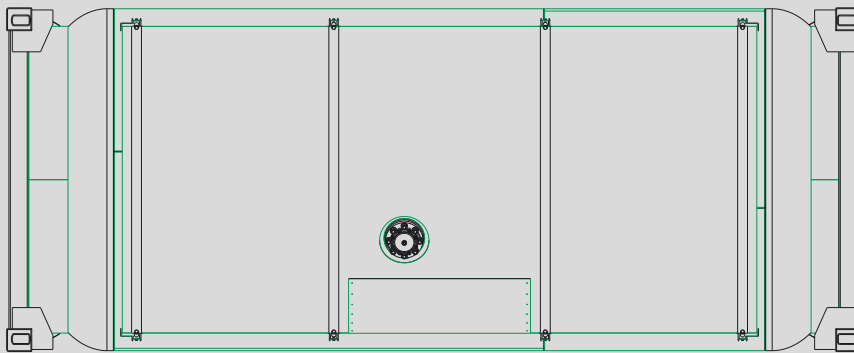
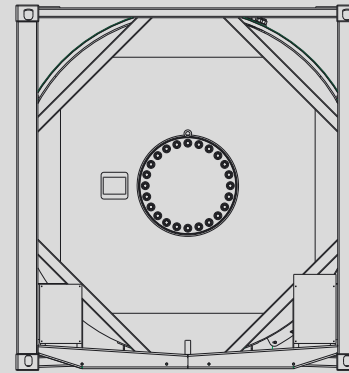
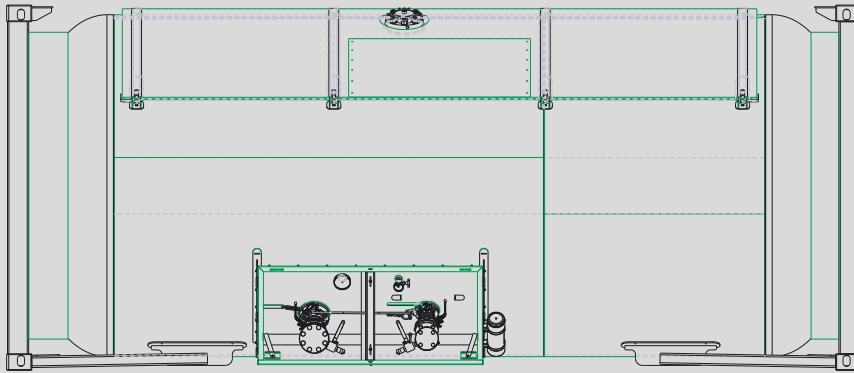
VTG Rail Europe GmbH
Nagelsweg 34
20097 Hamburg
Germany

Telefon +49 40 2354-0
info@vtg.com
www.vtg.com

20' ISO GAS-TANKCONTAINER | 20' ISO GAS TANK CONTAINER



24.800 Liter ortsbeweglicher Gas-Tankcontainer, Typ T50, ADR/RID
24,800 liter portable gas tank container, type T50, ADR/RID





PRODUCT DATA PLATE



UN-NO.	PRODUCTNAME	MAX. PAYLOAD (KG)	R-NUMBER
1010	BUTADIENES, STABILIZED	13640	
1011	BUTANE	12648	
1012	BUTYLENE	13144	
1018	CHLORODIFLUOROMETHANE (R22)	25544	R22
1020	CHLOROPENTAFLUOROETHANE (R115)	26288	R115
1021	1-CHLORO-1,2,2,2-TETRAFLUOROETHANE (R124)	29520	R124
1027	CYCLOPROPANE	13144	
1028	DICHLORODIFLUOROMETHANE (R12)	28520	R12
1029	DICHLOROFUOROMETHANE (R21)	29520	R21
1030	1,1-DIFLUOROETHANE (R152A)	19592	R152A
1032	DIMETHYLAMINE, ANHYDROUS	14632	
1033	DIMETHYLETHER (DME - RE170)	14384	RE170
1036	ETHYLAMINE	15128	
1037	ETHYL CHLORIDE	19840	
1055	ISOBUTYLENE	12896	
1060	METHYLACETYLENE AND PROPADIENE MIXTURE, STABILIZED	10664	
1061	METHYLAMINE, ANHYDROUS	14384	
1063	METHYL CHLORIDE (R40)	20088	R40
1077	PROPYLENE	10664	
1078	REFRIGERANT GAS ISCEON 29	23064	
1078	REFRIGERANT GAS ISCEON 49	25048	
1083	TRIMETHYLAMINE, ANHYDROUS	13888	
1085	VINYL BROMIDE, STABILIZED	29520	
1086	VINYL CHLORIDE, STABILIZED	20088	
1087	VINYL METHYL ETHER, STABILIZED	16616	
1912	METHYLENE CHLORIDE AND METHYL CHLORIDE MIXTURE	20088	
1965	HYDROCARBON GAS MIXTURE (ALL PERCENTAGES PROPANE/BUTANE)	10416	
1965	HYDROCARBON GAS MIXTURE (PROPEL 40)	12400	
1965	HYDROCARBON GAS MIXTURE, LIQUEFIED, N.O.S. - KAP 24/1.4 MIX A	12400	A
1965	HYDROCARBON GAS MIXTURE, LIQUEFIED, N.O.S. - KAP 30/2.0 MIX A	12400	A
1965	HYDROCARBON GAS MIXTURE, LIQUEFIED, N.O.S. - KAP 38/2.5 MIX A01	12152	A01
1965	HYDROCARBON GAS MIXTURE, LIQUEFIED, N.O.S. - KAP 40/2.7 MIX A01	12152	A01
1965	HYDROCARBON GAS MIXTURE, LIQUEFIED, N.O.S. - KAP 48/3.2 MIX A02	11904	A02
1965	HYDROCARBON GAS MIXTURE, LIQUEFIED, N.O.S. - KAP 58/4.0 MIX A0	11656	A0
1965	HYDROCARBON GAS MIXTURE, LIQUEFIED, N.O.S. - KAP 64/4.2 MIX A1	11408	A1
1965	HYDROCARBON GAS MIXTURE, LIQUEFIED, N.O.S. - KAP 70/4.7 MIX A1	11408	A1
1969	ISOBUTANE	12152	
1978	PROPANE	10416	
1983	1-CHLORO-2,2,2-TRIFLUOROETHANE (R133A)	29264	R133A
2517	1-CHLORO-1,1-DIFLUOROETHANE (R142B)	24552	R142B
2602	DICHLORODIFLUOROMETHANE AND 1,1-DIFLUOROETHANE . . . (R500)	25048	R500
3159	1,1,1,2-TETRAFLUOROETHANE (R134A)	25792	R134A
3161	REFRIGERANT GAS R134A/DME (DME>7)	24552	
3161	REFRIGERANT GAS R134A/R152A (257/5)	20832	
3161	REFRIGERANT GAS R134A/R152A (86/14)	24800	
3161	REFRIGERANT GAS R152A/DME (30/70)	15624	
3161	REFRIGERANT GAS R152A/DME (90/10)	18848	
3297	ETHYLENE OXIDE AND CHLOROTETRAFLUROETHANE MIXTURE . . .	28768	
3298	ETHYLENE OXIDE AND PENTAFLUROETHANE MIXTURE . . .	25296	
3299	ETHYLENE OXIDE AND TETRAFLUROETHANE MIXTURE . . .	25544	
1280	PROPYLENOXID		Max. Filling 98%
1265	PENTANE		Max. Filling 98%
1218	ISOPRENE		Max. Filling 98%
1089	ACETALDEHYD		Max. Filling 98%

CONSTRUCTIONNOS. 112059 - 112088

DATA OF CONTAINER

Sunshield	yes
Bursting disc	no
Topdischarge	no
Tarre / Max.gross	6480 kg / 36000 kg
Capacity	24800 l
MAWP	22 bar

10/09/2010

112059-PDP